

## Draw Diagrams



## Generate Scripts



## Verify Deploy Changes and Roll-back (if needed!)

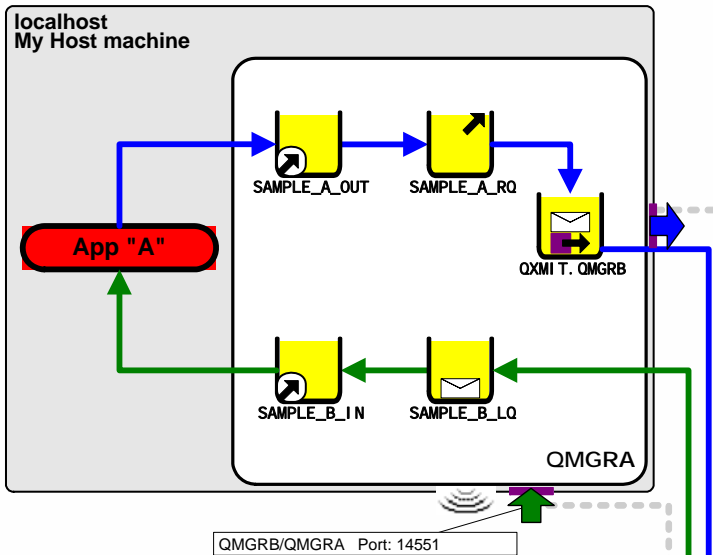
**Skill coaching** from experts to the novices within a team becomes a much more practical reality, allowing novices the capability to clearly follow the development process.

**Michael Dag**

Author of MQArchitect

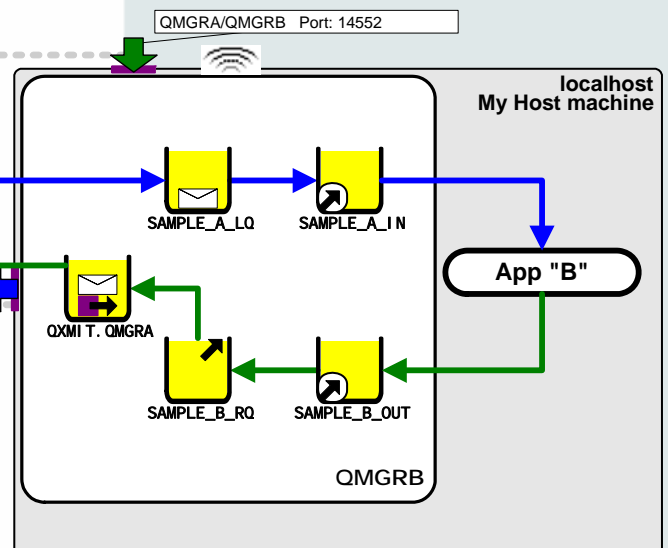


**Developed** to improve quality and teamwork for integration project teams, **MQArchitect** allows remote access for real time project information. Users now have the capability to define, understand and communicate their architecture using the simple medium of electronic diagrams.



**MQArchitect** is designed to meet two basic needs within an organization:

- Productivity for **development teams** by removing effort spent on low skill tasks
- Maintainability for **administration teams** by providing accurate up to date documentation on the existing integration architecture.



Using **Microsoft® Visio®** as the base level drawing tool, **MQSystems** has developed a complete database library of templates and **intelligent icons**, immediately making the user feel at home with familiar technology. Using the **MQArchitect standard icons and templates** gives you immediate access to the definitions for **WebSphere® MQ objects**, allowing the user to drag and drop objects from the library to create functionally correct and fully modeled systems.

## Components

**XML/MQSC Generator** provides an invaluable asset to the team's work by reducing time and improving quality associated with manual typing MQSC scripts.

**Implementation StreamLiner** provides verification and reporting to respectively assess the impact of a change before implementation and to verify results after implementation and generate subsequent rollback definitions to back out any change that was implemented (if needed!).



## *What are MQArchitect’s functions?*

- Draw diagrammatic representation of your WebSphere® MQ configuration quickly
- Automatically generate WebSphere® MQ definitions from drawings
- Automatically implement generated definitions and generate subsequent rollback definitions.
- Documentation by drawings and links to definitions.
- Import and reverse engineer

## *How does MQArchitect improve quality?*

- A picture says more than a thousand words
- Easier to unite teams with multi-layered access
- Automatically generated XML/MQSC definitions remove the issues caused by typing errors
- Provides verification and implementation reports that can be used to:
  - assess the impact of a change before implementation
  - verify or roll-back a change after implementation

***Interested? e-mail:***

**[mqarchitect@mqsystems.com](mailto:mqarchitect@mqsystems.com)**

